

H4 Video Intercom



The H4 Video Intercom integrates a 3 MP fisheye camera with a high-performance intercom and features exceptional wide dynamic range, low-light, noise reduction, and echo-cancelling technologies for clear viewing and two-way communication with visitors. Combined with Avigilon Control Center (ACC) video management software, this secured entry system enables operators to quickly and easily identify and communicate with a visitor before remotely granting access. The H4 Video Intercom also supports Avigilon Appearance SearchTM technology, which enables security operators to locate a specific person of interest quickly across all cameras on a site.

The H4 Video Intercom serves as a first line of defense for facilities where securing main entry points is critical. It can help schools verify campus access, provide parking entry to approved guests at hotels, and offer after-hours entry to retail staff. By providing and restricting access, the H4 Video Intercom helps enhance security while also maintaining convenience.

The innovative weather-, vandal-, and tamper-resistant, aluminum housing and adapter easily fit installations on walls and door frames, both indoors and outdoors. Its 3 MP wide-angle camera provides exceptional image quality even under challenging conditions with LightCatcherTM technology, triple exposure, true Wide Dynamic Range (WDR), and adaptive infrared (IR) technologies. The integrated, single-button intercom provides an easy way to communicate with your Avigilon Control CenterTM client for entry control. Digital inputs and outputs can easily interface to any door locks. The camera uses HDSM SmartCodecTM, Idle Scene Mode, and patented High Definition Stream Management (HDSM)TM technologies to reduce bandwidth and storage while maintaining high image quality.

KEY FEATURES

- 3 MP 170 degree wide-angle fisheye lens offers extended field of view to clearly capture individuals of different heights.
- Provides high quality clear bi-directional communication using noise reduction and echo-cancellation.
- Weather-, vandal-, and tamper-resistant, aluminum housing together with physical tamper detection offers reliable strength and durability.
- LightCatcher technology provides exceptional image quality in low light environments.
- Triple exposure Wide Dynamic Range for complex lighting environments.
- Integrated IR LEDs provide uniform illumination in the dark, even at 0 lux.
- Input and outputs for remote control of door locks and other equipment.
- Avigilon Appearance Search technology for fast video search across all cameras.
- Single network connection for video and audio using PoE.
- Easy door grant access via ACCTM, ACC mobile 3 app, and ACMTM integration.
- HDSM SmartCodec technology reduces bandwidth and storage requirements.
- Session Initiation Protocol (SIP) support for peer to peer and PBX voice calls.

Specifications

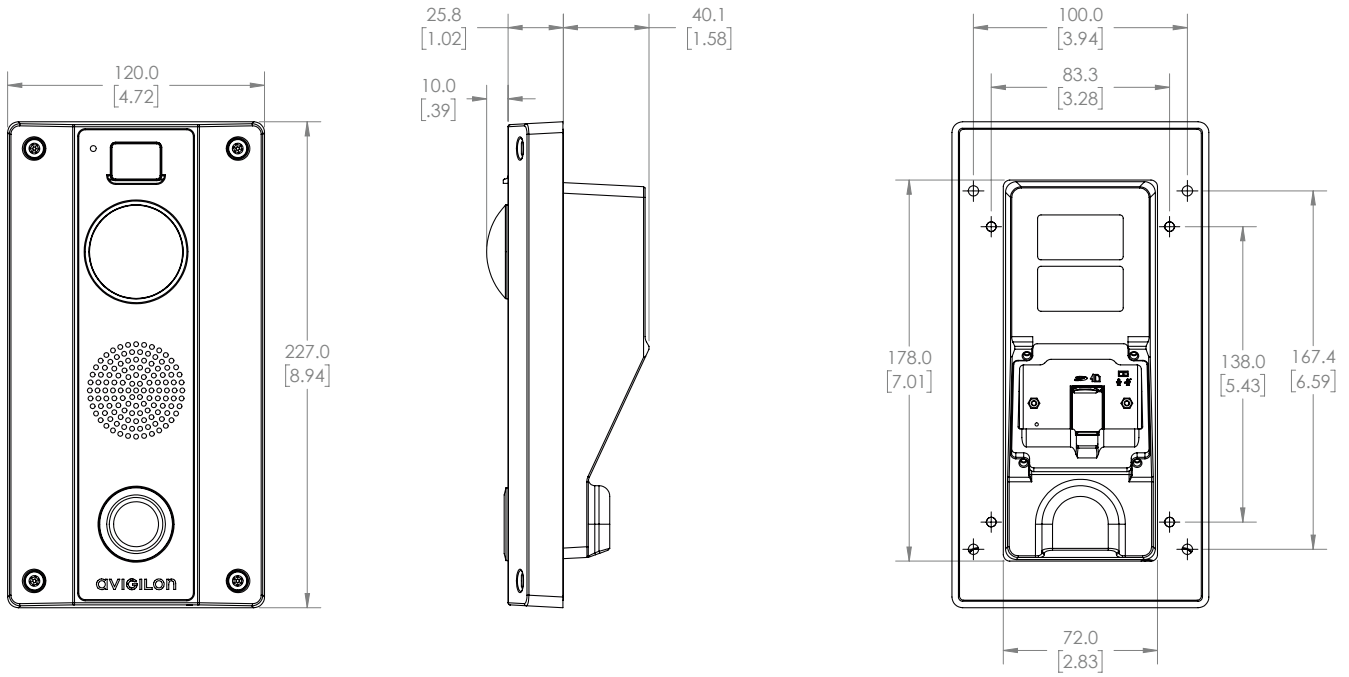
3.0 MP

IMAGE PERFORMANCE	Image Sensor	1/2.8" Progressive Scan CMOS								
	Aspect Ratio	4:3								
	Active Pixels (H x V)	2048 (H) x 1536 (V)								
	Imaging Area (H x V)	3.7 mm x 3.0 mm, 0.145" x 0.118"								
	Imaging Rate	30 fps								
	Minimum Illumination	With IR	0 lux							
		Without IR	0.14 lux (F2.4) in color mode; 0.03 lux (F2.4) in monochrome mode							
	IR Illumination	5 m (15 ft) max. distance at 0 lux								
	Dynamic Range	100 dB								
	Dynamic Range (WDR enabled)	120 dB triple exposure (20 fps or less); 100 dB dual exposure (30 fps)								
	Resolution Scaling	Down to 384 x 216								
	3D Noise Reduction Filter	Yes								
	LENS	Lens	1.83mm, F2.4, IR Corrected							
		Angle of View (H x V)	170° x 120°							
IMAGE CONTROL	Image Compression Method	H.264 (MPEG-4 Part 10/AVC), Motion JPEG								
	Streaming	Multi-stream H.264 and Motion JPEG								
	Bandwidth Management	HDSM SmartCodec technology; Idle scene mode								
	Video Compression	H.264/MJPEG/HDSM SmartCodec technology								
	Motion Detection	Pixel								
	Tamper Detection	Yes								
	Electronic Shutter Control	Automatic, Manual (1/6 to 1/8000 sec)								
	Iris Control	Fixed								
	Day/Night Control	Automatic, Manual								
	Flicker Control	50 Hz, 60 Hz								
	White Balance	Automatic, Manual								
	Backlight Compensation	Adjustable								
	Privacy Zones	Up to 64 zones								
AUDIO CONTROL	Audio Streaming	Two-way, Full Duplex								
	Audio Compression Method	Opus, G.711								
	Audio Output	90 dB at 1m (3.3")								
	Audio Input/Output	Built-in microphone with hardware disable / Built-in speaker								
	Echo Cancellation	Yes								
	Noise Reduction	Yes								
NETWORK	Network	100BASE-TX								
	Cabling Type	CAT5								
	Connector	RJ-45								
	ONVIF®	ONVIF compliant with version 1.02, 2.00, Profile S, Profile G								
	Security	Password protection, HTTPS encryption, digest authentication, WS authentication, user access log, 802.1x port based authentication								
	Protocols	IPv6, IPv4, HTTP, HTTPS, SOAP, DNS, NTP, RTSP, RTP, TCP, UDP, IGMP, ICMP, DHCP, Zeroconf, ARP								
	Streaming Protocols	RTP/UDP, RTP/UDP multicast, RTP/RTSP/TCP, RTP/RTSP/HTTP/TCP, RTP/RTSP/HTTPS/TCP, HTTP								
	Session Initiation Protocol (SIP)	Integration support for Peer to Peer and PBX voice only calls								
	Device Management Protocols	SNMP v2c, SNMP v3								
	PERIPHERALS	External I/O Terminals	Alarm In (1), Alarm Out (2), Tamper Out (1)							
Onboard Storage		microSD/microSDHC/microSDXC slot – minimum class 6; class 10/UHS-1 or better recommended								
Tamper Detection Switch		Yes								
MECHANICAL	Dimensions (LxWxH)	RECESSED MOUNT			SURFACE MOUNT					
		227 mm x 120 mm x 75.9 mm (35.8mm proud of wall) 8.94" x 4.72" x 2.99" (1.41" proud of wall)			227 mm x 120 mm x 99.6 mm 8.94" x 4.72" x 3.92"					
	Weight	1,230 g; 2.71 lb			2,450 g; 5.40 lb					
	Body	Aluminum; Bubble: Polycarbonate								
	Housing	Recessed Mount, Tamper Resistant			Surface Mount, Tamper Resistant					
	Finish	Powder Coat, Silver								
ELECTRICAL	Power Consumption	10W								
	Power Source	PoE: IEEE802.3af Class 3 compliant		VDC: 12V +/- 10%, 10W min						
	RTC Backup Battery	3V manganese lithium								
ENVIRONMENTAL	Operating Temperature	-40 °C to 60 °C (-40 °F to 140 °F)								
	Storage Temperature	-10 °C to 70 °C (14 °F to 158 °F)								
	Humidity	0-95% non-condensing								
CERTIFICATIONS	Certifications/Directives	UL	cUL	CE	ROHS	WEEE	RCM	EAC	KC	
	Safety	UL 62368-1		CSA 62368-1		IEC/EN 62368-1	IEC 62471			
	Environmental	IK10 Impact Rating on enclosure and IK08 on bubble				IP66 Rating				
	Electromagnetic Emissions	FCC Part 15 Subpart B Class B		IC ICES-003 Class B		EN 55032 Class B	EN 61000-6-3	EN 61000-3-2	EN 61000-3-3	
	Electromagnetic Immunity	EN 55024				EN 61000-6-1				

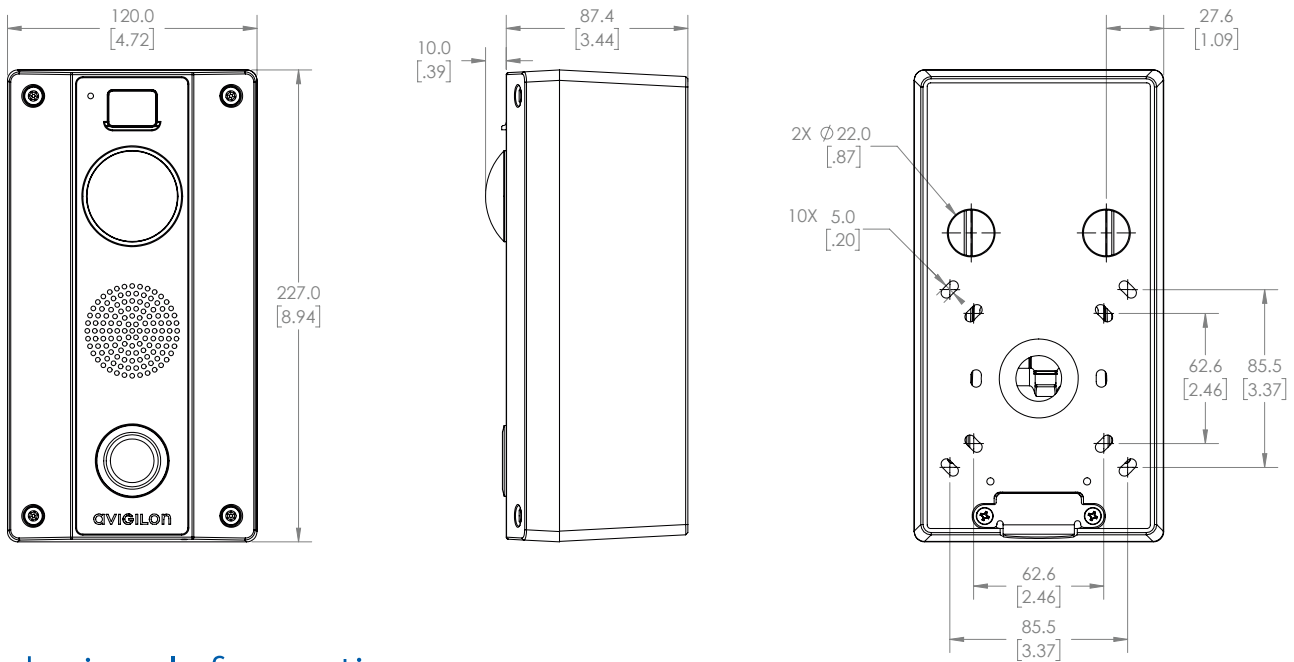
Outline Dimensions

[X.X]	INCHES
X	MM

Recessed Mount



Surface Mount



Ordering Information

	MP	WDR	LightCatcher Technology	IR	HDSM SmartCodec Technology
3.0C-H4VI-RO1-IR	3.0	✓	✓	✓	✓

Accessories Part Numbers

H4VI-AC-RELY1	Safety Relay for H4 Video Intercom
H4VI-MT-SURF1	Surface mount adapter for H4 Video Intercom
H4VI-RO-CVER1	Replacement dome cover for the H4VI camera, package of 5